

All In One Portable Power Station

BESS-ASM-3300WH-3300W

- ◆ 3300Wh Lithium Iron Phosphate
- ◆ 3300W Bi-directional Inverter Inside
- ◆ 65Ah 51.2V



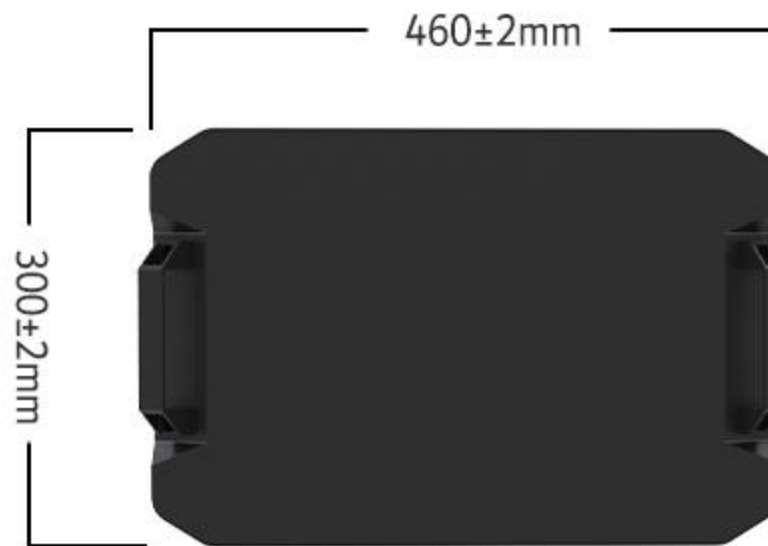
Specification

Model	BESS-ASM-3300WH-3300W	Car charging input	Supports 12/24V
Net Weight	Approx. 45kg	Cell type	Lithium Iron Phosphate(LiFePO4)
Size (L*W * H)	460*300*465(mm)	Rated voltage	51.2V
Capacity	3072Wh	Rated capacity	65Ah
AC output	3-channel output, 3300W; AC 220V~240V, 50 Hz/60Hz	Anderson Port	Supported 12V/30A
AC input power	2200W	USB-A	1-channel output, 5V/2.4A (constant voltage) maximum power 12W
AC input voltage	AC 220V~240V 10A 50Hz/60Hz	USB-A fast charging	1-channel output, 5V/2.4A, 9V/2A, 12V/1.5A (constant voltage), maximum power 18W
Solar charging input	1200W	USB-C	2-channel output, 5/9/12/15/20V-5A (constant voltage), maximum power 100W

Support external expansion battery up to 9.9 kWh



Front



Top



Rear



Multi-scenario



2200W
AC Input



3072Wh



Pure Sine Wave



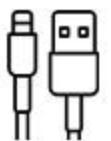
LiFePO4



LCD Display

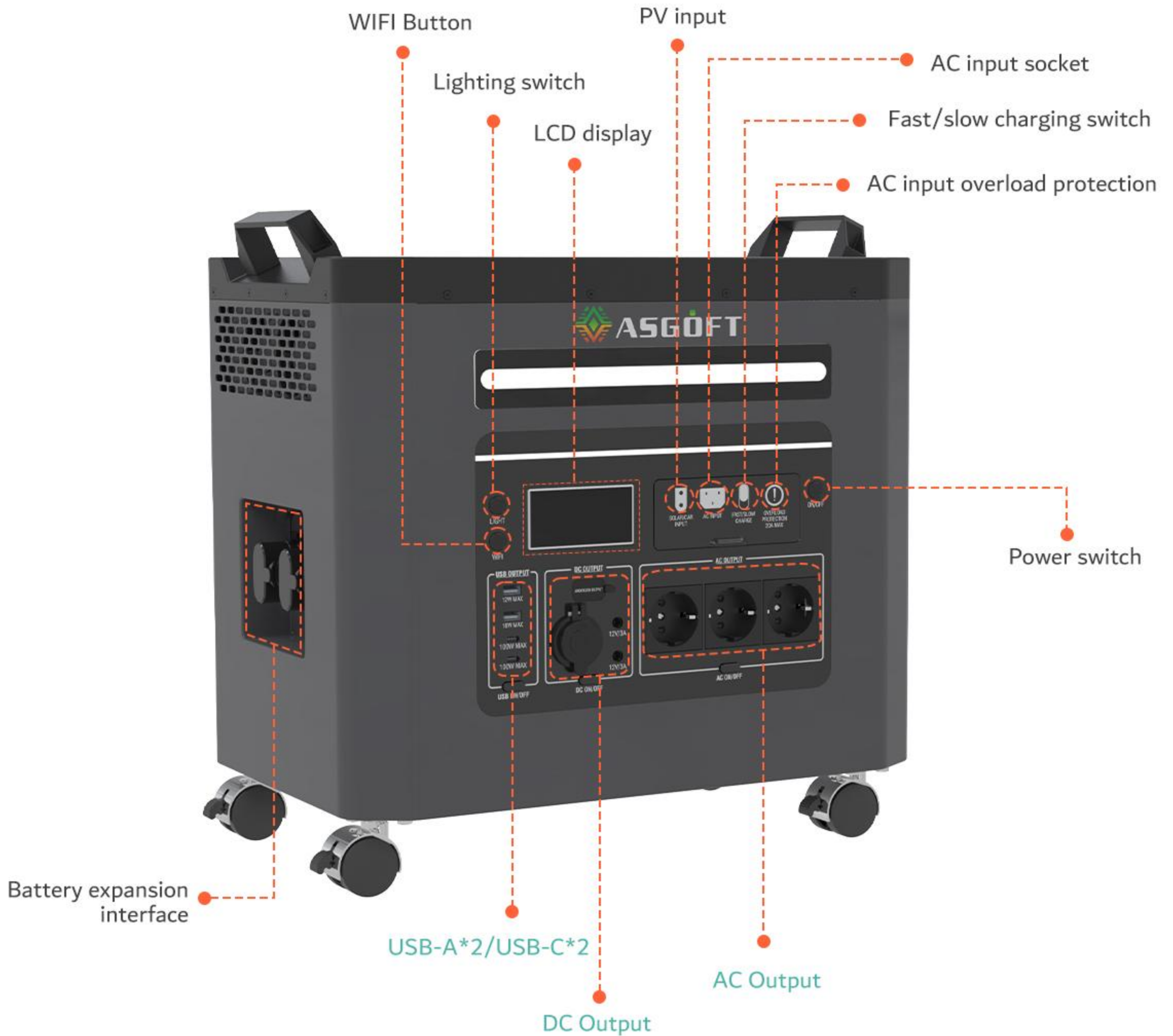


3300W AC
Output



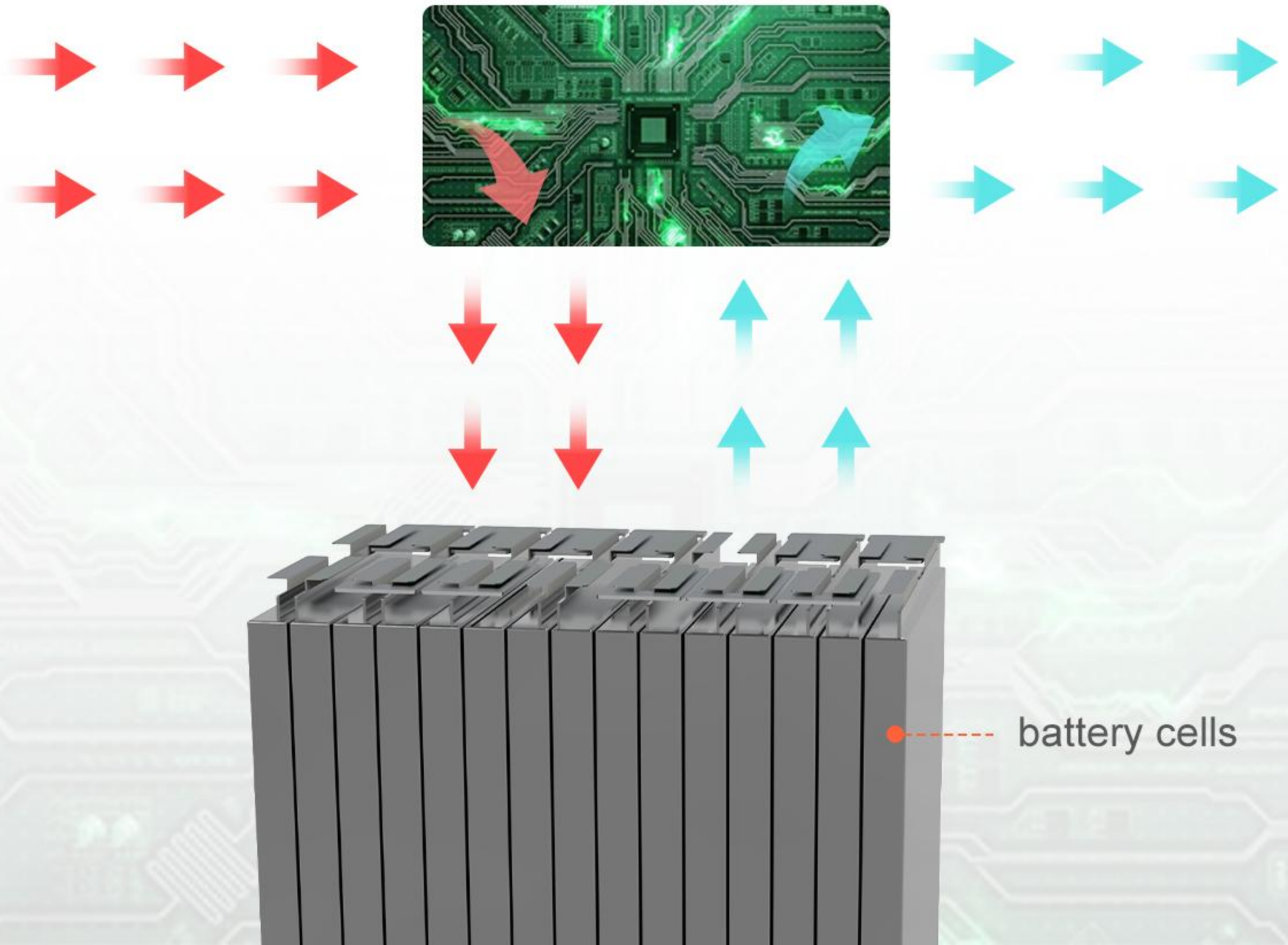
USB*4

Various Input/Output Ports



Bi-directional High Power Output 3300W Power Station

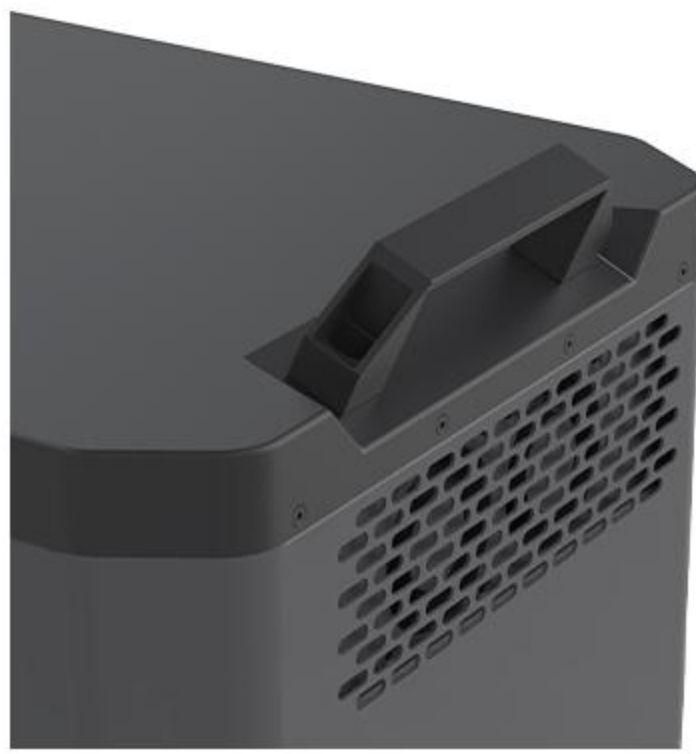
High Efficiency, Low Cost



Main Features



Combining of 11 output ports



Aluminum Alloy Handle (black)



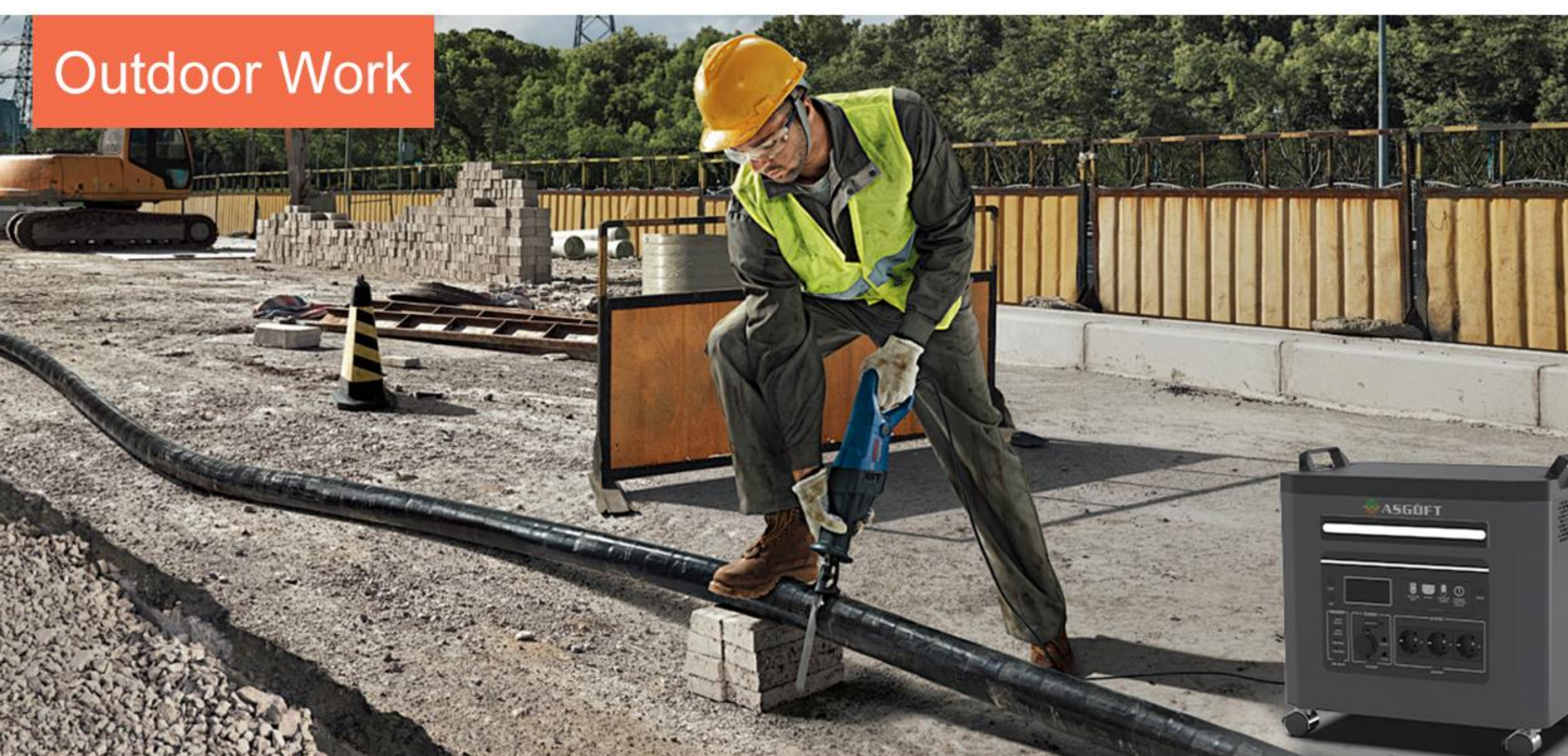
Universal Wheel

Why All-In-One Portable Power Station?

Emergency Aid



Outdoor Work



Outdoor Camping



Backup Power



Emergency EV Charge



Intelligent Battery Management

Battery Management System



Over Charge
Protection



Over Temperature
Protection



Over Voltage
Protection



Short Circuit
Protection



Over Current
Protection



DC Auto Sleep



Pure Sine Wave



Long cycle life

Multiple Appliances



Rice Cooker
(800W)

3.8 Hours



Lighting
(10W)

307 Hours



Car Refrigerator
(65W)

47 Hours



Laptop
(49.9Wh)

61 Hours



Micro Wave Oven
(1000W)

3 Hours



Induction Cooker
(1000W)

3 Hours



Coffee Machine
(600W)

5 Hours



Drone Battery
(60W)

51 Hours



Electric Fan
(40W)

76 Hours



Hair Dryer
(1200W)

2.5 Hours



Electric Drill
(900W)

3.4 Hours



Switch
(16W)

192 Hours